



AGM G+ 12-200

Deep Cycle Gel Electrolyte



High Performance



Maintenance Free



High Quality



10 Year Design Life

Warranty Information



2 Year Warranty

Comprehensive Certifications

- IEC 60896-12/22, IEC 61215, IEC 61730, UL 61215, UL 61730
- ISO 9001: Quality management systems
- ISO 14001: Environmental management systems



HIGHER EFFICIENCY

LOW INTERNAL RESISTANCE
STORE UP TO 9 MONTHS WITHOUT CHARGING

LONGER LIFESPAN

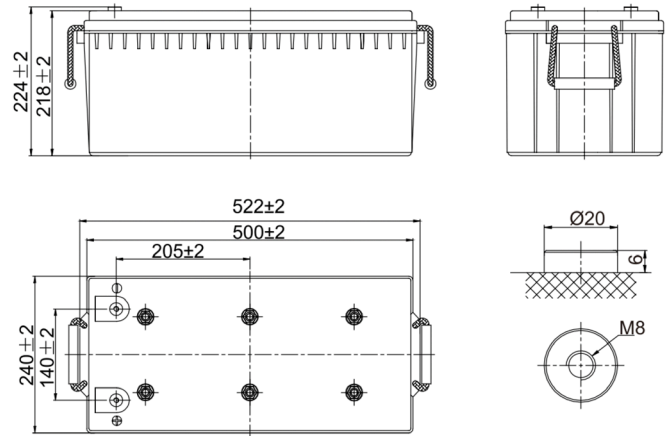
10 YEAR DESIGN LIFE
2 YEAR WARRANTY

HIGHER CYCLE LIFE

>3 600 CYCLE @ 20% DoD @ 25°
>2 400 CYCLE @ 30% DoD @ 25°

Mechanical Characteristics

Dimensions	522mm x 240mm x 218mm
Weight	Approx. 60.4Kg
Container Material	ABS
Terminal	TII



Electrical Characteristics

Rated Capacity	200Ah
Nominal Voltage	12V
Nominal Energy	2400Wh
Maximum Discharge Current	1200A (5s)
Expected Cycle Life	>3600 @ 20% >2400 @ 30% >1600 @ 40% >1200 @ 50%
Cycle Usage	<60A

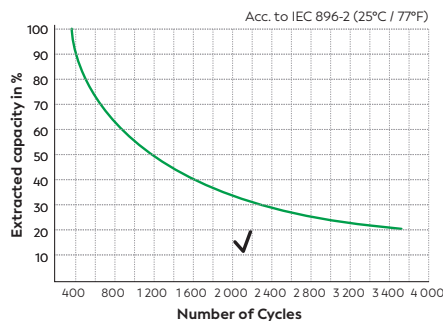
Operating Conditions

Operating Temperatures	Charge: 0°C to 40°C Discharge: -15°C to 50°C Storage: -15°C to 40°C
Nominal Operating Temperature	25°C ± 3°C
Self Discharge	May be stored for up to 9 months at 25°C and then a freshening charge is required. For higher temperatures, the time interval will be shorter

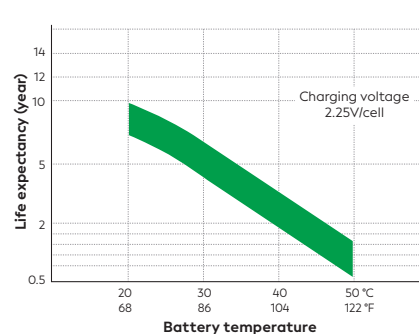
Constant Current Discharge @ 25°C

F.V/Time	5min	10min	15min	20min	30min	45min	1h	2h	3h	4h	5h	6h	8h	10h	20h
1,85V/cell	332,4	253,5	215,6	180,3	142,5	108,2	89,5	56,9	44,2	36,4	30,9	26,9	21,9	18,6	10
1,80V/cell	426,5	319,2	256,7	210	164	122,8	99,6	61,9	47,5	38,7	33,2	28,9	23,4	20	10,3
1,75V/cell	490,8	358	286,1	230,6	174,8	129,9	105,5	64,8	49,2	40	34	29,7	23,8	20,2	10,4
1,70V/cell	546,8	394,7	309,1	245,2	184,4	136,4	110	68	50,9	41,2	34,9	30,3	24,1	20,3	10,6
1,65V/cell	597,2	421,9	325,5	258	193,1	140,5	113,9	69,9	52,8	42,4	35,7	31	24,5	20,5	10,7
1,60V/cell	664	461,8	350,9	277,1	205,2	148,5	119,4	72,5	54,7	43,4	36,4	31,6	24,8	20,8	10,8

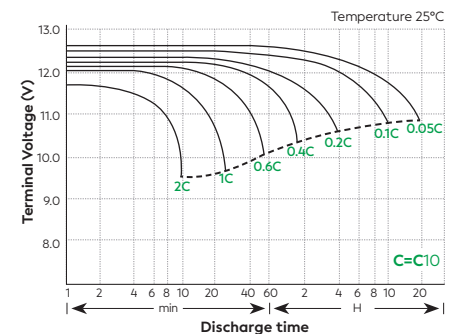
Cycle Life Characteristics



Temperature Affected Lifespan



Discharge Characteristics



User Defined Settings

	12V Application	24V Application	48V Application
Float Charge	14.4V - 15.1V	28.8V - 30.2V	57.6V - 60.4V
Float Charge	13.5V	27V	54V
Equalisation Charge	14.V	28.2V	56.4V