

Off-Grid Series

60Wp



Off-Grid



Anti-Reflective- shock
resistant tempered glass



Suitable for AC and DC
applications



Reliable and flexible
product range

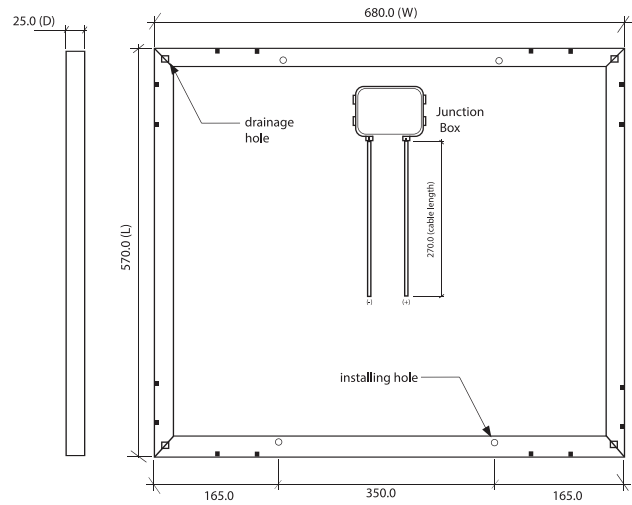
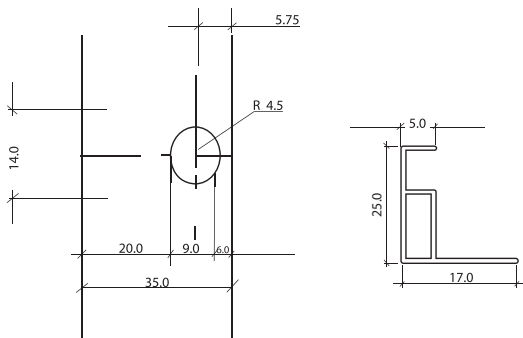


5 Year Warranty for
Materials and Processing

15,48%
MAX MODULE
EFFICIENCY

0~+5W
POWER
TOLERANCE

Diagram



Mechanical Parameters

Cell Orientation	72(18*4)
Junction Box	IP65, 1 bypass-diodes
Output Cable	520m
Glass	3,2mm solar glass
Frame	Anodized aluminium
Weight	4kg
Dimensions (mm)	570*680*25

Electrical Characteristics

Module Type	Testing Condition	Maximum Power	Open circuit voltage(V)	Short circuit current (A)	Voltage at Maximum power (V)	Current at Maximum Power (A)	Module Efficiency
60WP	STC	60	22,65	3,46	18,31	3,28	15,48%

Operating Parameters

Operational Temp	minus 40°C to 85°C
Power Output Tolerance	0-+5Wp
Maximum System Voltage	1500 V
Maximum Series Fuse Rating	20A
Nominal Operating Cell Temperature	48°C +2°C

Temperature Ratings STC

Temperature Coefficient of i_s	(+)0,04%/K
Temperature Coefficient of V_{oc}	(-)0,30%/K
Temperature Coefficient of P_{max}	(-)0,40%/K