

# Off-Grid Series

## 45Wp



Off-Grid



Anti-Reflective- shock  
resistant tempered glass



Suitable for AC and DC  
applications



Reliable and flexible  
product range

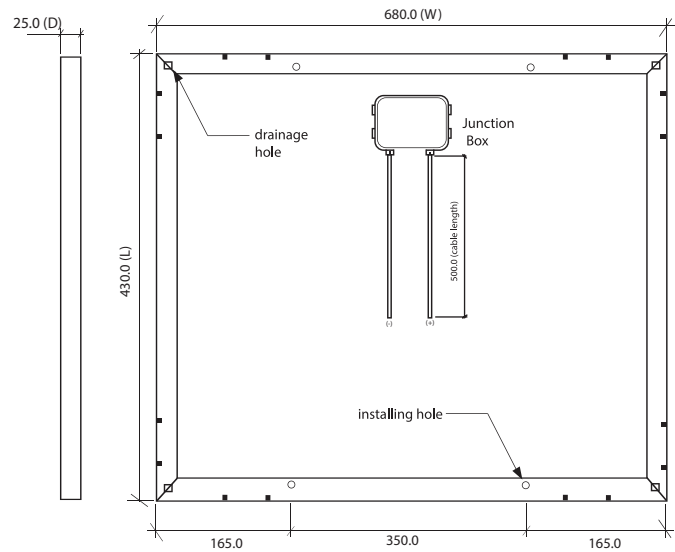
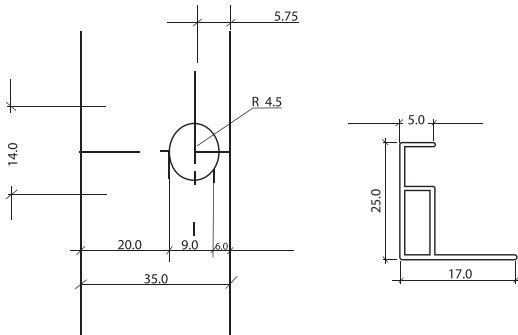


5 Year Warranty for  
Materials and Processing

**15,39%**  
MAX MODULE  
EFFICIENCY

**0~+5W**  
POWER  
TOLERANCE

## Diagram



## Mechanical Parameters

Cell Orientation	72(8*9)
Junction Box	IP65, 1 bypass-diodes
Output Cable	520m
Glass	3,2mm solar glass
Frame	Anodized aluminium
Weight	3,5kg
Dimensions (mm)	430*680*25

## Electrical Characteristics

Module Type	Testing Condition	Maximum Power	Open circuit voltage(V)	Short circuit current (A)	Voltage at Maximum power (V)	Current at Maximum Power (A)	Module Efficiency
45WP	STC	45	22,65	2.60	18.31	2.46	15,39%

## Operating Parameters

Operational Temp	minus 40°C to 85°C
Power Output Tolerance	0-+5Wp
Maximum System Voltage	1500 V
Maximum Series Fuse Rating	20A
Nominal Operating Cell Temperature	48°C +2°C

## Temperature Ratings STC

Temperature Coefficient of $i_s$	(+)0,04%/K
Temperature Coefficient of $V_{oc}$	(-)0,30%/K
Temperature Coefficient of $P_{max}$	(-)0,40%/K

**enersol**

www.enersol.africa · info@enersol.africa