

# Off-Grid Series

130Wp



Off-Grid



Anti-Reflective- shock resistant tempered glass



Suitable for AC and DC applications



Reliable and flexible product range

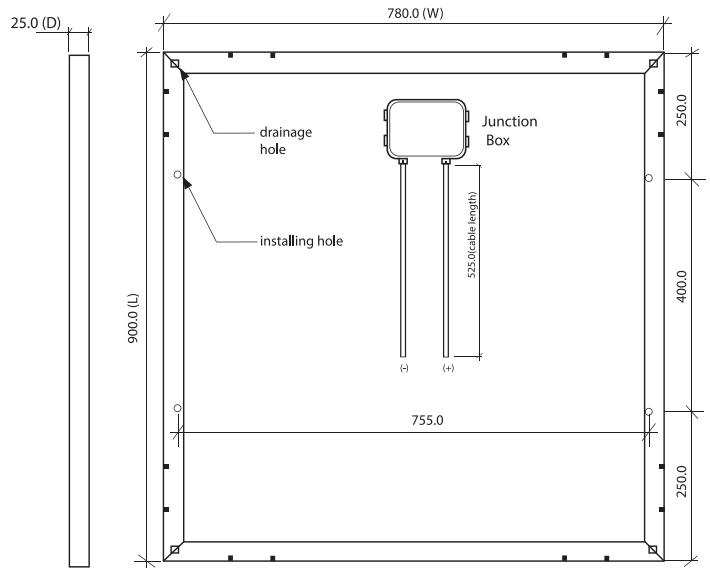
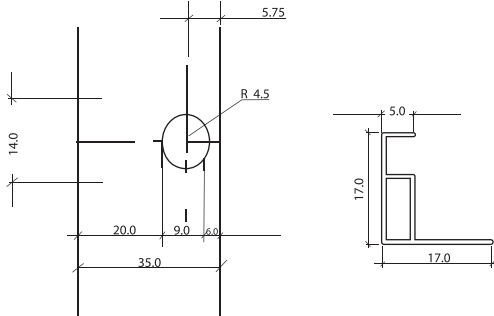


5 Year Warranty for Materials and Processing

**18,52%**  
MAX MODULE  
EFFICIENCY

**0~+5W**  
POWER  
TOLERANCE

## Diagram



## Mechanical Parameters

Cell Orientation	36(4*9)
Junction Box	IP65, 1 bypass-diodes
Output Cable	525mm
Glass	3,2mm solar glass
Frame	Anodized aluminium
Weight	7.5kg
Dimensions (mm)	900*780*25

## Electrical Characteristics

Module Type	Testing Condition	Maximum Power	Open circuit voltage(V)	Short circuit current (A)	Voltage at Maximum power (V)	Current at Maximum Power (A)	Module Efficiency
130WP	STC	130	24,50	6,79	20,50	6,35	18,52%

## Operating Parameters

Operational Temp	minus 40°C to 85°C
Power Output Tolerance	0-+5Wp
Maximum System Voltage	1000V DC
Maximum Series Fuse Rating	10A
Nominal Operating Cell Temperature	48°C +2°C

## Temperature Ratings STC

Temperature Coefficient of $i_s$	(+)0,04%/K
Temperature Coefficient of $V_{oc}$	(-)0,30%/K
Temperature Coefficient of $P_{max}$	(-)0,40%/K